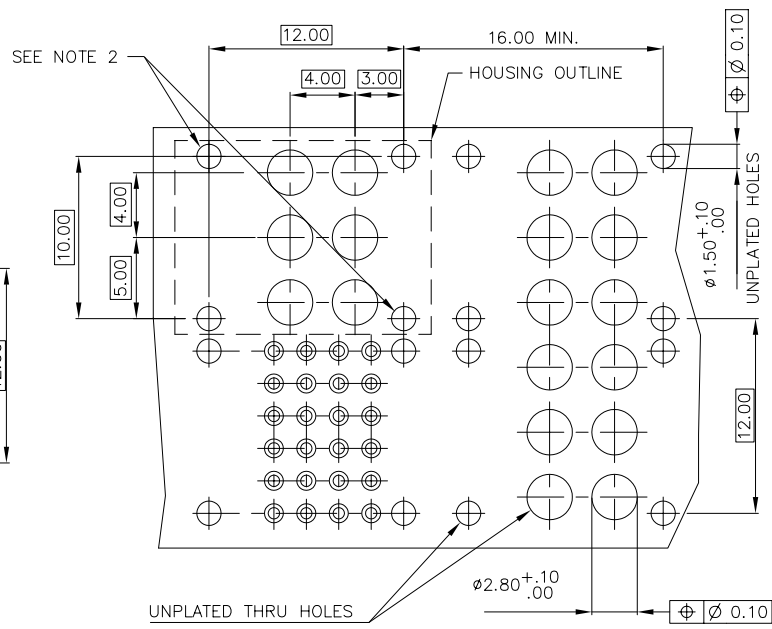
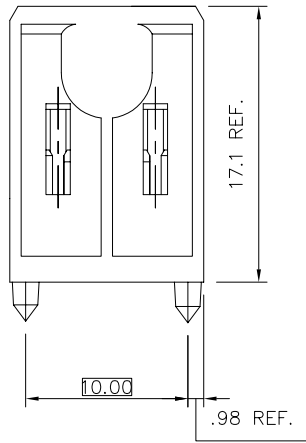
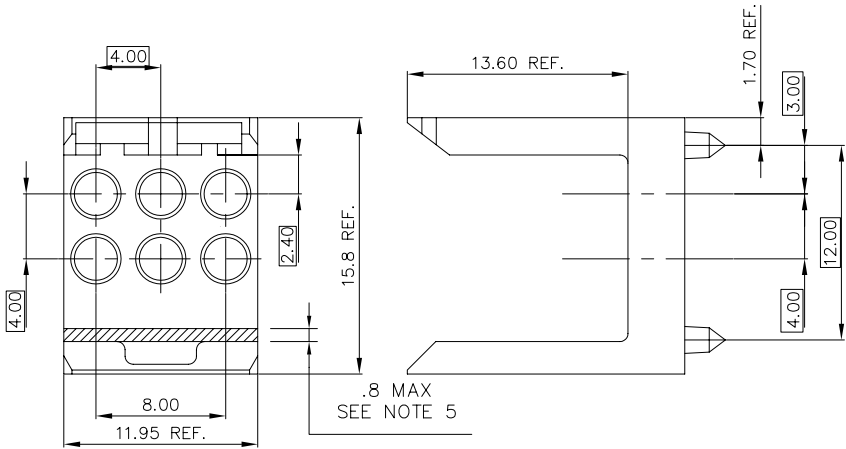


PRODUCT NUMBER  
88913-001  
88913-001LF



RECOMMENDED HOLE PATTERN COMPONENT SIDE  
2MM SIGNAL HOLE PATTERN SHOWN FOR REFERENCE ONLY  
NOTES:

1. MATERIAL: LCP, 30% GLASS FILLED  
COLOR: NATURAL  
FLAME RETARDANT ACC. UL 94-V0
2. THESE HOLES NEEDED WHEN USED IN A CENTER PLANE APPLICATION WITH A HYBRID ON EACH SIDE OF THE CENTER PLANE.
3. THE -101 (SHEET 1) HOUSING IS TO BE USED WITH MINI-COAX PLUG/PLUG INSERTS, 70296-002.
4. THE -111 (SHT 2) AND -121 (SHT 3) HOUSING, IS TO BE USED WITH MINI-COAX INSERTS 88971 OR 88978.
5. THIS AREA MAY CONTAIN IDENTIFICATION SUCH AS MOLD NUMBER, MOLD CAVITY NUMBER AND/OR MANUFACTURING LOCATION.

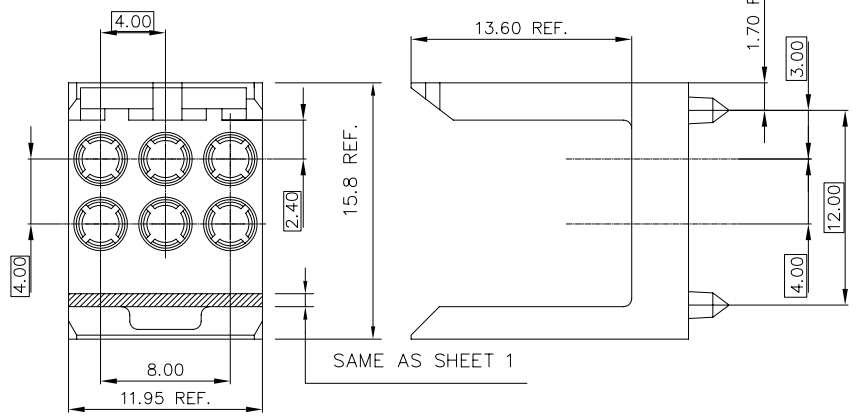
6. PART NUMBER WITH "LF" SUFFIX AT THE END IS LEAD FREE OPTION.
7. THIS PRODUCT MEETS EUROPEAN UNION DIRECTIVES AND OTHER COUNTRY REGULATION AS DESCRIBED IN GS-22-008.
8. THE HOUSING WILL WITHSTAND EXPOSURE TO 260°C PEAK TEMPERATURE FOR 15 SECONDS IN A WAVE SOLDER APPLICATION WITH A 1.5mm MINIMUM THICK CIRCUIT BOARD OR FOR 10-20 SECONDS IN A CONVECTION, INFRA-RED OR VAPOR PHASE REFLOW OVEN. SEE APPLICATION NOTES/PROCEDURES IF THEY ARE AVAILABLE.

mat'l. code		surface		tolerance		projection		product family	
SEE NOTES		ISO 1302		ISO 406		ISO 1101		METRAL ACC	
ltr	ecn	no	dr	date	tolerances unless otherwise specified			title	
H	V20777	CGD		4/23/02	angles	linear	.0±.3	12mm MINI-HYBRID	
J	V21256	CGD		6/24/02			.00±.13	HEADER HOUSING	
K	V21707	TAB		10/30/02	0'±2'		.000±.0051	scale 1:1	
L	J03-0127	PJ		01/03/04	dr	S.STONER	6/11/92	dwg no	
M	M06-0055	MHT		2/01/06	engr	R.DOETRICH	6/11/92	sheet 1 of 3 size	
N	M06-0277	MHT		7/22/06	chr	S.STONER	6/11/92	88913 A3	
sheet		revision		N		N		type	
index		sheet		1		2 3		Product Customer Drawing	

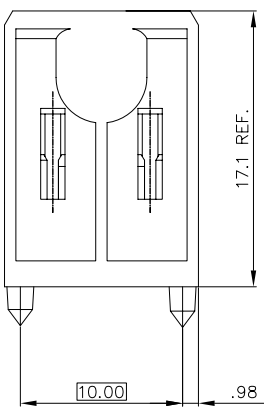


Copyright FCI

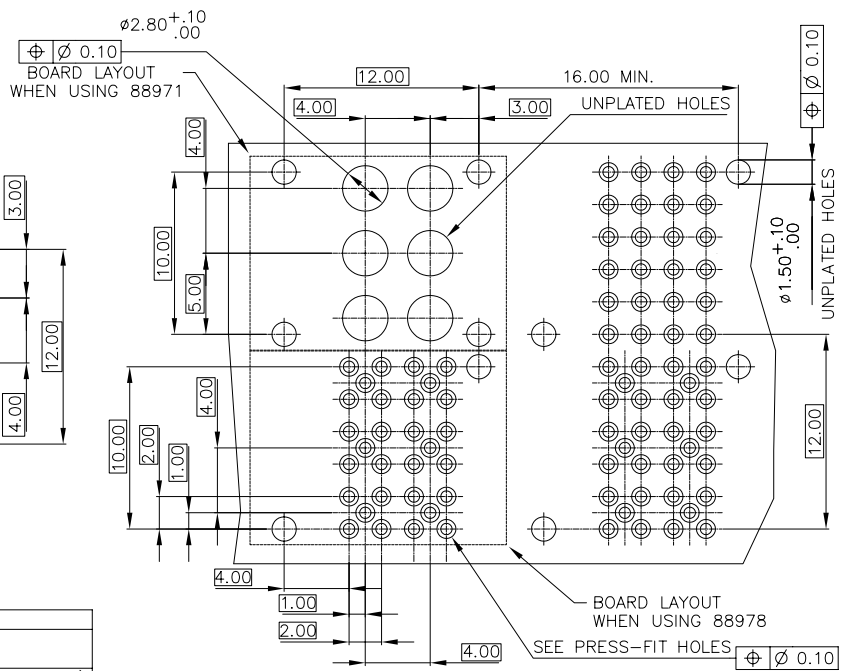
PRODUCT NUMBER
88913-111
88913-111LF



SAME AS SHEET 1



PRESS-FIT HOLES	
HOLE DIAMETER AFTER PLATING	0.65 - 0.80
DRILLED HOLE	0.81 - 0.86 (0.85 DRILL)
COPPER PLATING	0.025 MIN.
TIN PLATING	0.005 - 0.015



RECOMMENDED HOLE PATTERN COMPONENT SIDE  
2MM SIGNAL HOLE PATTERN SHOWN FOR REFERENCE ONLY

- NOTES:
- MATERIAL: LCP, 30% GLASS FILLED  
COLOR: NATURAL  
FLAME RETARDANT ACC. UL 94-V0
  - THE -111 AND -121 (SHEET 3) HOUSING IS TO BE USED WITH THE PRESS-FIT TO BOARD MINI-COAX INSERT, 88978-001 OR MINI-COAX PLUG/PLUG COUPLERS, 88971-002.

- PART NUMBER WITH "LF" SUFFIX AT THE END IS LEAD FREE OPTION.
- THIS PRODUCT MEETS EUROPEAN UNION DIRECTIVES AND OTHER COUNTRY REGULATION AS DESCRIBED IN GS-22-008.
- THE HOUSING WILL WITHSTAND EXPOSURE TO 260°C PEAK TEMPERATURE FOR 15 SECONDS IN A WAVE SOLDER APPLICATION WITH A 1.5mm MINIMUM THICK CIRCUIT BOARD OR FOR 10-20 SECONDS IN A CONVECTION, INFRA-RED OR VAPOR PHASE REFLOW OVEN. SEE APPLICATION NOTES/PROCEDURES IF THEY ARE AVAILABLE.

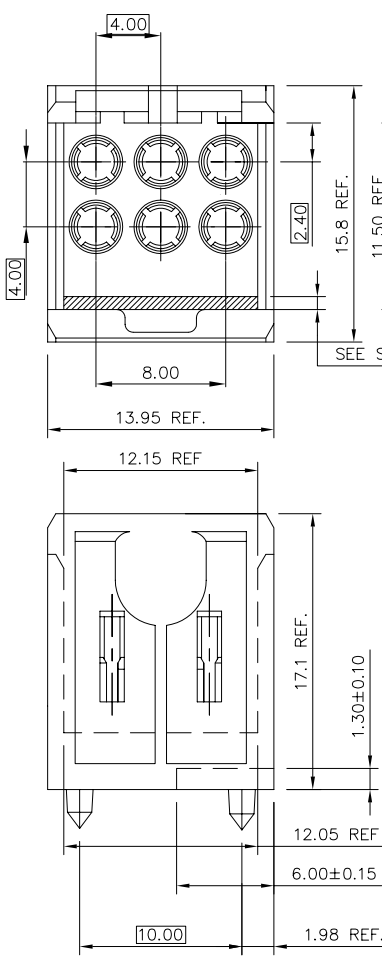
mat'l. code SEE NOTES	surface ISO 1302 ✓	tolerance ISO 406 ISO 1101	projection MM	product family METRAL ACC
ltr N	ecn dr	date	tolerances unless otherwise specified angles linear 0°±2'	title 12mm MINI-HYBRID HEADER HOUSING
			dr S.STONER 6/11/92	dwg no 88913
			enr R.DOUBRICH 6/11/92	sheet 2 of 3 size A3
			chr S.STONER 6/11/92	type Product Customer Drawing
			appd S.STONER 6/11/92	
sheet index	revision sheet			



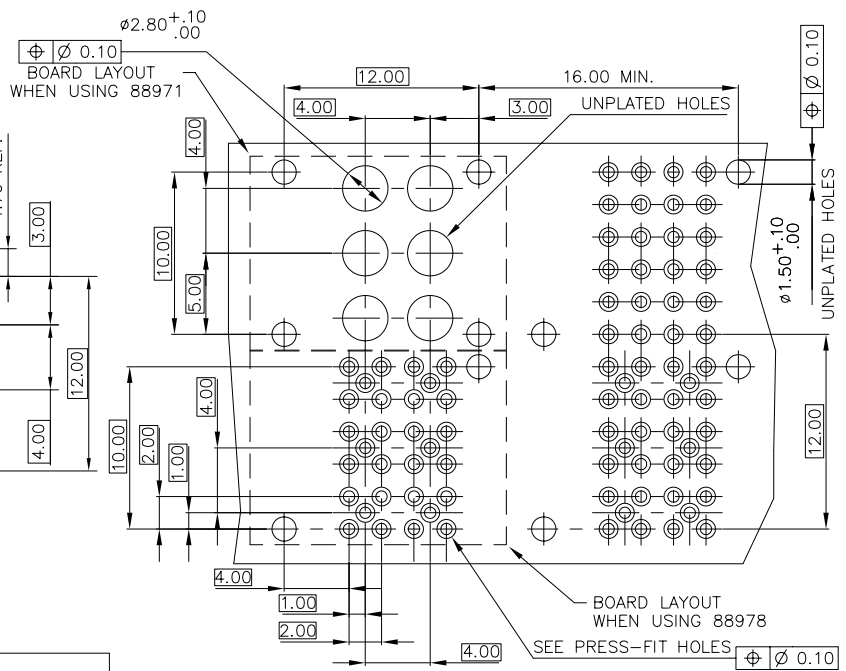
FCIconnect.com

Copyright FCI

PRODUCT NUMBER
88913-111
88913-111LF



PRESS-FIT HOLES	
HOLE DIAMETER AFTER PLATING	0.65 - 0.80
DRILLED HOLE	0.81 - 0.86 (0.85 DRILL)
COPPER PLATING	0.025 MIN.
TIN PLATING	0.005 - 0.015



RECOMMENDED HOLE PATTERN COMPONENT SIDE  
2MM SIGNAL HOLE PATTERN SHOWN FOR REFERENCE ONLY

- ③ PART NUMBER WITH "LF" SUFFIX AT THE END IS LEAD FREE OPTION.
- 4. THIS PRODUCT MEETS EUROPEAN UNION DIRECTIVES AND OTHER COUNTRY REGULATION AS DESCRIBED IN GS-22-008.
- 5. THE HOUSING WILL WITHSTAND EXPOSURE TO 260°C PEAK TEMPERATURE FOR 15 SECONDS IN A WAVE SOLDER APPLICATION WITH A 1.5mm MINIMUM THICK CIRCUIT BOARD OR FOR 10-20 SECONDS IN A CONVECTION, INFRA-RED OR VAPOR PHASE REFLOW OVEN. SEE APPLICATION NOTES/PROCEDURES IF THEY ARE AVAILABLE.

- NOTES:
- MATERIAL: LCP, 30% GLASS FILLED, FLAME RETARDANT ACC. UL 94-V0  
COLOR: NATURAL
  - THE -111 AND -121 (SHEET 3) HOUSING IS TO BE USED WITH THE PRESS-FIT TO BOARD MINI-COAX INSERT, 88978-001 OR MINI-COAX PLUG/PLUG COUPLERS, 88971-002.

mat'l. code	surface	tolerance	projection	product family				
SEE NOTES	ISO 1302 ✓	ISO 406		METRAL ACC				
ISO 1101	tolerances unless otherwise specified	ISO 1101	MM	title				
ltr	ecn	no	dr	date	angles	linear	0±.3	12mm MINI-HYBRID
N					0°±2'		.00±.13	HEADER HOUSING
							.000±.0051	scale 1:1
				dr	S.STONER	6/11/92		dwg no
				enr	R.DOETRICH	6/11/92		sheet 3 of 3
				chr	S.STONER	6/11/92		size
				appd	S.STONER	6/11/92		A3
sheet	revision							type
index	sheet							Product Customer Drawing